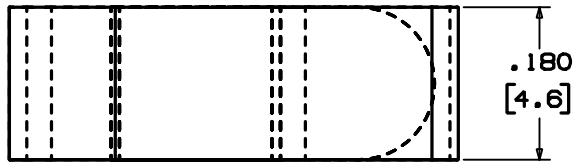
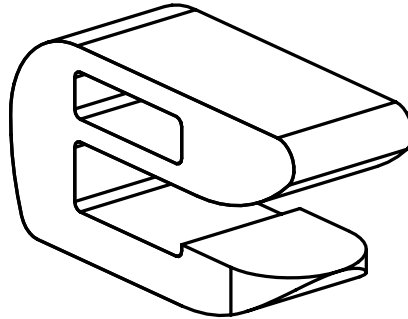
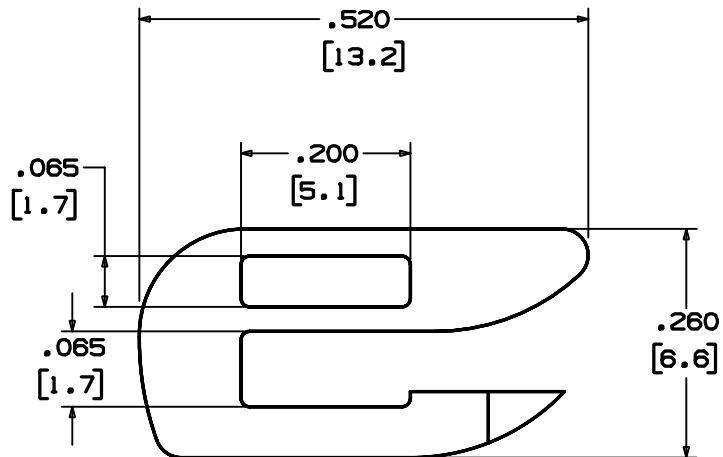


THIS COPY IS PROVIDED ON A RESTRICTED BASIS AND IS NOT TO BE USED IN ANY WAY DETRIMENTAL TO THE INTERESTS OF PANDUIT CORP.



PANDUIT PART NO.	WEIGHT lbs 100 (g) pcs	USE WITH ANY OF THESE CABLE TIE CROSS-SECTIONS
CROS-_-	0.06 (27.22)	M, I, S



NOTES:

- SEE CURRENT PRICE SHEET FOR PART NUMBER SUFFIX DESIGNATION FOR PACKAGE SIZE.
- CABLE TIE CROSS-SECTION CODE:
M = MINIATURE
I = INTERMEDIATE
S = STANDARD

DIMENSIONS IN BRACKETS ARE METRIC [mm]	
CAD FILENAME/LAYERS G00239E1_PB_CROS_01	
PANDUIT CORP. TINLEY PARK, ILLINOIS CROS OPEN CONNECTOR RING	
UNLESS OTHERWISE SPECIFIED, DIMENSIONAL TOLERANCES ARE: (.X) ±0.05 (1.3) (.XX) ±0.010 (0.25) (.XX) ±0.02 (0.5) ANGLES ± 5°	UNLESS OTHERWISE SPECIFIED, ALL DIMENSIONS ARE GIVEN IN INCHES, THIRD ANGLE PROJECTION.
DRAWN BY JAD	MAT'L: NYLON 6/6
DATE 4/14/03	SCALE NONE
DRW'D	DWG NO. GB0239E I
	SIZE A

REV	DATE	BY	CHK	DESCRIPTION	ECN	R	CUST	SUP
1	4/14/03	JAD		REDRAWN, CAD FILE LOST	GB0239E1	1		